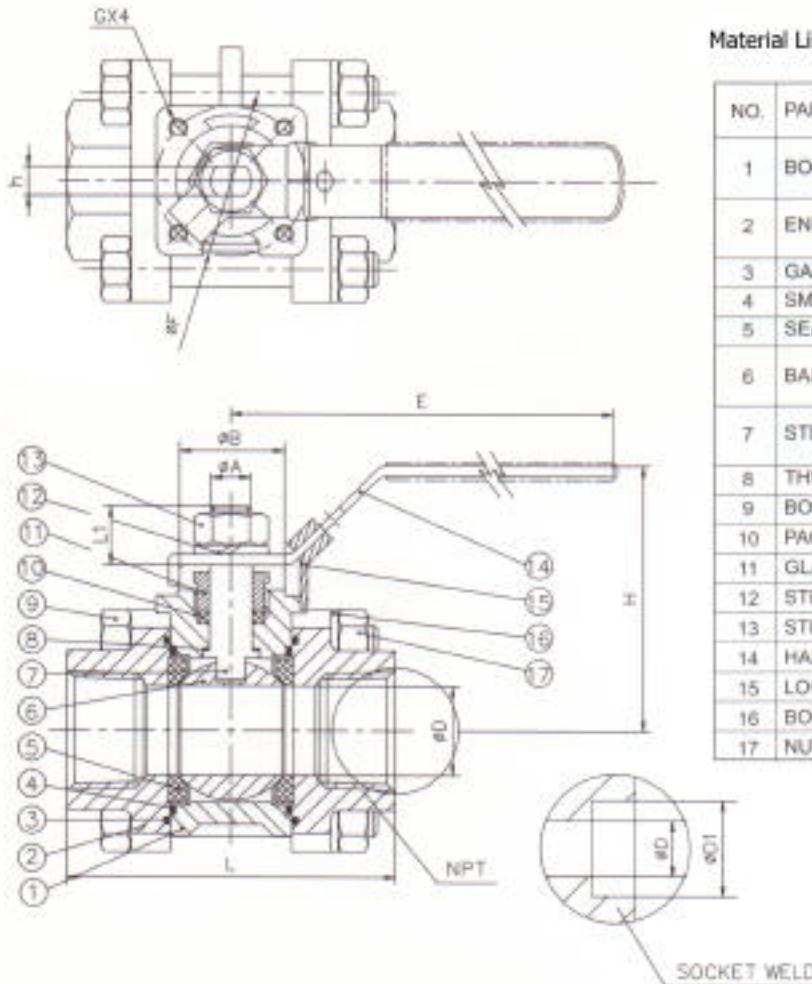


FIG. B3 - Class 600 / Class 800
Full Compliance with ASME B16.34 and NACE MR0715

3-PIECE BOLTED, FULL PORT, 1/4"~2": CLASS 800(2000 WOG); 2-1/2"~3": CLASS 600(1500 WOG),
 BLOWOUT-PROOF STEM, THREADED ENDS TO ANSI B1.20.1(NPT), SOCKET-WELDED ENDS TO ANSI B16.11,
 FIRE SAFE TO API 607, LOCKING HANDLE, MOUNTING PAD*, MSS SP-110 DESIGNED.



Material List

NO.	PARTS	SPECIFICATION			QTY
1	BODY	ASTM A351 CF8M	ASTM A352 LCC	ASTM A216 WCB	1
2	END CAP	ASTM A351 CF8M	ASTM A352 LCC	ASTM A216 WCB	2
3	GASKET	GRAPHITE	GRAPHITE	GRAPHITE	2
4	SMALL GASKET	TFE	TFE	TFE	2
5	SEAT	R.TFE	R.TFE	R.TFE	2
6	BALL	ASTM A351 CF8M	ASTM A351 CF8M	ASTM A351 CF8M	1
7	STEM	ASTM A276 316	ASTM A276 316	ASTM A276 316	1
8	THRUST WASHER	R.TFE	R.TFE	R.TFE	1
9	BOLT	A193-B8	A193-B8	A193-B7M	4
10	PACKING	GRAPHITE	GRAPHITE	GRAPHITE	1
11	GLAND	AISI 304	AISI 304	AISI 304	1
12	STEM WASHER	AISI 304	AISI 304	AISI 304	1
13	STEM NUT	A194-8	A194-2HM	A194-2HM	1
14	HANDLE	AISI 304	C/S PLATED	C/S PLATED	1
15	LOCKING DEVICE	AISI 304	C/S PLATED	C/S PLATED	1
16	BOLT WASHER	AISI 304	AISI 304	C/S PLATED	4
17	NUT	A194-8	A194-8	A194-2HM	4

* NOTE: ISO DIMENSIONS FROM 1-1/4" TO 3"

DIMENSIONS

SIZE	øD		øD1 SW (min)		L		H		E		øF		G	øA		øB		L1		h		
	in	mm	in	mm	in	mm	in	mm	in	mm	in	mm	mm	in	mm	in	mm	in	mm	in	mm	
1/4"	8	0.36	9.2	0.555	14.10	2.28	58	1.86	47.2	3.81	97	0.94	24	M5	0.25	6.3	0.75	19	0.31	8	0.19	5
3/8"	10	0.36	9.2	0.690	17.53	2.28	58	1.86	47.2	3.81	97	0.94	24	M5	0.25	6.3	0.75	19	0.31	8	0.19	5
1/2"	15	0.5	12.7	0.855	21.72	2.87	73	2.44	62	4.92	125	1.26	32	M6	0.37	9.5	0.98	25	0.42	10.7	0.23	6
3/4"	20	0.77	19.05	1.065	27.05	3.46	88	2.58	65.5	4.92	125	1.26	32	M6	0.37	9.5	0.98	25	0.43	11	0.23	6
1"	25	0.98	25	1.330	33.78	3.72	94.5	2.93	74.5	6.1	155	1.65	42	M6	0.43	11.0	1.18	30	0.65	16.5	0.31	8
1-1/4"	32	1.22	31	1.675	42.55	4.25	108	3.13	79.6	6.1	155	1.65	42	M6	0.43	11.0	1.18	30	0.65	16.5	0.31	8
1-1/2"	40	1.5	38	1.915	48.64	4.80	122	3.42	86.8	6.69	170	1.97	50	M6	0.63	16.0	1.37	35	0.92	23.5	0.39	10
2"	50	1.97	50	2.406	61.37	5.82	148	3.75	95.3	6.69	170	1.97	50	M6	0.63	16.0	1.37	35	0.92	23.5	0.39	10
2-1/2"	65	2.5	63.5	2.806	73.81	7.00	178	5.33	135.3	9.92	252	2.75	70	M8	0.75	19.0	2.09	53	1.10	28	0.47	12
3"	80	3	78.2	3.535	89.79	7.57	192.4	6.2	157.5	9.92	252	4.01	102	M10	0.75	19.0	2.76	70	1.10	28	0.47	12