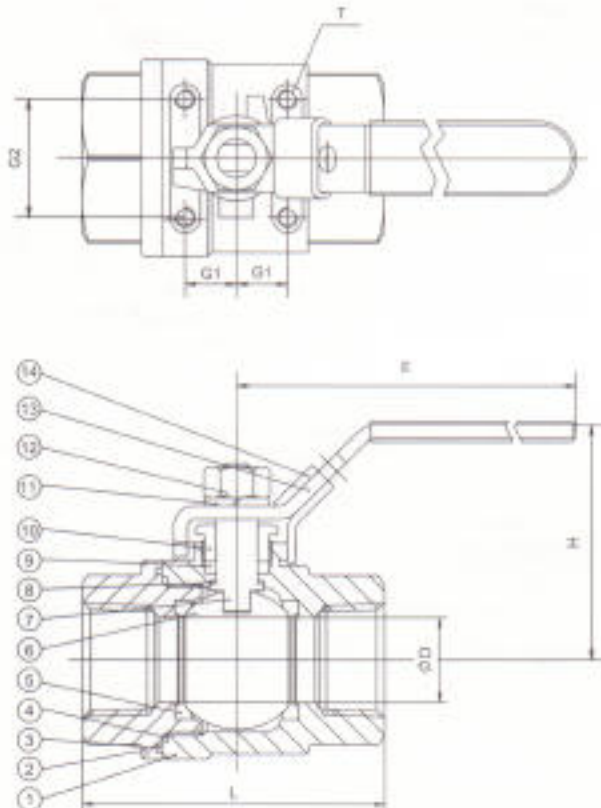


FIG. T2 - Class 600 / Class 800
Full Compliance with ASME B16.34 and NACE MR0175

2-PIECE, FULL PORT, 1/4"~2": CLASS 800(2000 WOG); 2-1/2"~3": CLASS 600(1500 WOG).
 BLOWOUT-PROOF STEM, THREADED ENDS TO ANSI B1.20.1(NPT).
 FIRE SAFE TO API 607, LOCKING HANDLE, MOUNTING PAD*, MSS SP-110 DESIGNED.



Material List

NO.	PARTS	SPECIFICATION			Q'TY
1	BODY	ASTM A351 CF8M	ASTM A352 LCC	ASTM A216 WCB	1
2	END CAP	ASTM A351 CF8M	ASTM A352 LCC	ASTM A216 WCB	1
3	GASKET	GRAPHITE	GRAPHITE	GRAPHITE	1
4	SMALL GASKET	TFE	TFE	TFE	1
5	SEAT	R.TFE	R.TFE	R.TFE	2
6	BALL	ASTM A351 CF8M	ASTM A351 CF8M	ASTM A351 CF8M	1
7	STEM	ASTM A276 316	ASTM A276 316	ASTM A276 316	1
8	THRUST WASHER	R.TFE	R.TFE	R.TFE	1
9	PACKING	GRAPHITE	GRAPHITE	GRAPHITE	1
10	GLAND RETAINER	AISI 304	AISI 304	AISI 304	1
11	SPRING WASHER	AISI 304	AISI 304	C/S PLATED	1
12	HEX NUT	AISI 304	A194-2HM	A194-2HM	1
13	HANDLE	AISI 304	C/S PLATED	C/S PLATED	1
14	LOCKING DEVICE	AISI 304	C/S PLATED	C/S PLATED	1

*NOTE: 1/4" - 3" TAPPED 2-HOLE MOUNTING PAD.
 2-1/2" - 3" TAPPED 4-HOLE MOUNTING PAD.

Dimensions

SIZE		øD		L		H		E		G1		G2		T
in	mm	in	mm	in	mm	in	mm	in	mm	in	mm	in	mm	
1/4"	8	0.36	9.2	2.11	53.5	1.86	47.2	3.82	97.0	0.50	12.7	1.12	28.5	M5
3/8"	10	0.36	9.2	2.11	53.5	1.86	47.2	3.82	97.0	0.50	12.7	1.12	28.5	M5
1/2"	15	0.50	12.7	2.66	67.5	2.08	52.8	4.33	110.0	0.50	12.7	1.12	28.5	M5
3/4"	20	0.75	19.05	2.97	75.5	2.23	56.6	4.33	110.0	0.87	22.1	1.37	34.8	M5
1"	25	0.98	25.0	3.50	89.0	2.74	69.5	5.57	141.5	0.87	22.1	1.37	34.8	M5
1-1/4"	32	1.22	31.0	3.96	100.5	2.94	74.6	5.57	141.5	0.93	23.6	1.50	38.1	M5
1-1/2"	40	1.50	38.0	4.45	113.0	3.22	81.8	6.50	165.0	0.93	23.6	1.50	38.1	M6
2"	50	1.97	50.0	5.18	131.5	3.56	90.3	6.50	165.0	0.93	23.6	1.50	38.1	M6
2-1/2"	65	2.50	63.5	6.59	167.5	5.33	135.3	9.80	249.0	1.42	36.1	2.84	72.1	M8
3"	80	3.00	76.2	7.46	189.5	5.71	145.0	9.80	249.0	1.42	36.1	2.84	72.1	M8