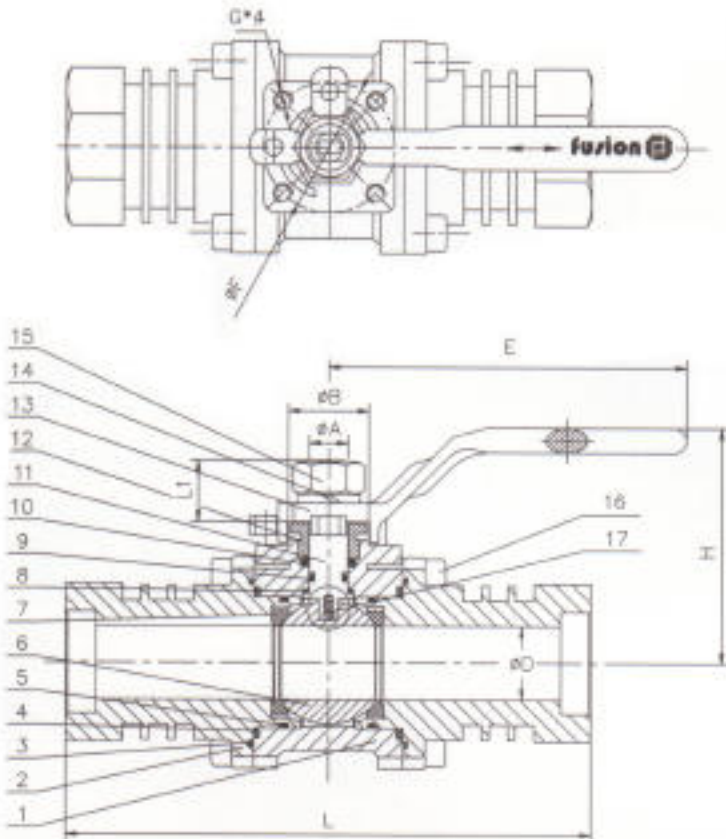


FIG. B3 - Class 1500
Full Compliance with ASME B16.34 and NACE MR0175

3-PIECE BOLTED, BLOWOUT-PROOF STEM, SOCKET-WELD ENDS TO ASME B16.11, FIRE SAFE TO API 607, ANTI-STATIC, LOCKING HANDLE, SO MOUNTING PAD, O-RING AND PACKING ON STEM, FP: 1/4" TO 2", RP: 2" AND 3", MSS SP-110 DESIGNED

Material List

NO.	PARTS	SPECIFICATION			QTY
1	BODY	ASTM A351 CF8M	ASTM A352 LCC	ASTM A216 WCB	1
2	END CAP	ASTM A351 CF8M	ASTM A352 LCC	ASTM A216 WCB	2
3	GASKET	GRAPHITE	GRAPHITE	GRAPHITE	1
4	SMALL GASKET	PTFE	PTFE	PTFE	1
5	O-RING	VITON	VITON	VITON	1
6	BALL	CF8M	CF8M	CF8M	1
7	SEAT	TFM	TFM	TFM	2
8	THRUST WASHER	TFM	TFM	TFM	1
9	O-RING	VITON	VITON	VITON	1
10	PACKING	GRAPHITE	GRAPHITE	GRAPHITE	1
11	STEM	ASTM 564 630	ASTM 564 630	ASTM 564 630	1
12	GLAND	304SS	304SS	304SS	1
13	LOCKING HANDLE	304	C/S ENP	C/S ENP	1
14	LOCK WASHER	304	C/S	C/S	1
15	STEM NUT	304	C/S	C/S	1
16	BOLT	A193-88	A193-88	A193-88	8
17	SPRING	304SS	304SS	304SS	1



Dimensions

SIZE		BORE	aD		L(SW)		L(FNPTXSW)		H		E		aF		G	aA		aB		L1	
in	mm		in	mm	in	mm	in	mm	in	mm	in	mm	in	mm	mm	in	mm	in	mm	in	mm
1/4"	6.4	FP	0.5	12.7	5.11	130	4.48	114	3.47	88	6.50	165	1.42	36	6	0.38	9.5	1	25	0.51	13
3/8"	9.5	FP	0.5	12.7	5.11	130	4.48	114	3.47	88	6.50	165	1.42	36	6	0.38	9.5	1	25	0.51	13
1/2"	12.7	FP	0.5	12.7	5.11	130	4.48	114	3.47	88	6.50	165	1.42	36	6	0.38	9.5	1	25	0.51	13
3/4"	19.1	FP	0.75	19.05	6.77	172	5.51	140	3.64	92.5	8.07	205	1.42	36	6	0.38	9.5	1	25	0.53	13.5
		RP	0.75	19.05	6.77	172	5.51	140	3.64	92.5	8.07	205	1.42	36	6	0.44	11.1	1	25	0.57	14.5
1"	25.4	FP	1	25	6.77	172	5.51	140	3.96	100.5	8.07	205	1.65	42	8	0.44	11.1	1	25	0.57	14.5
		RP	0.75	19.05	6.77	172	5.51	140	3.64	92.5	8.07	205	1.42	36	6	0.44	11.1	1	25	0.53	13.5
1-1/2"	38.1	FP	1.50	38	8.54	217	7.4	188	5.23	132.8	10.04	255	2.78	70	8	0.75	19.05	2.17	55	1.24	31.5
		RP	1.50	38	8.54	217	7.4	188	5.23	132.8	10.04	255	2.78	70	8	0.88	22.2	2.17	55	1.24	31.5
2"	50.8	FP	2	50.8	12.75	324	9.51	241.5	5.90	150	12.40	315	2.78	70	8	0.75	19.05	2.17	55	1.24	31.5
		RP	1.50	38	8.54	217	7.4	188	5.23	132.8	10.04	255	2.78	70	8	0.75	19.05	2.17	55	1.24	31.5
3"	76.2	RP	2	50.8	12.75	324	12.1	308	5.90	150	12.40	315	2.78	70	8	0.88	22.2	2.17	55	1.24	31.5