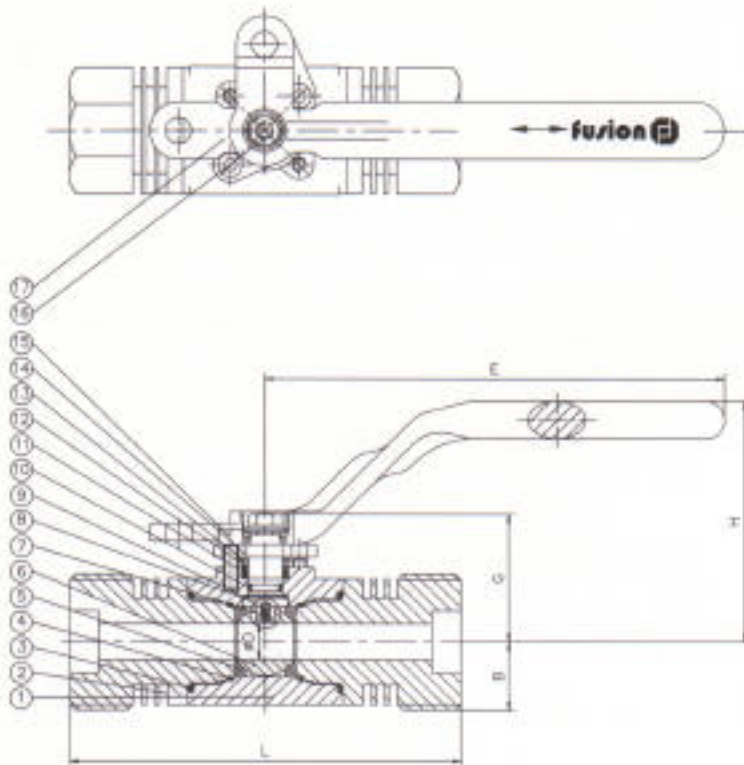


FIG. T3 - Class 2500
Full Compliance with ASME B16.34 and NACE MR0175

3-PIECE THREADED, BLOWOUT-PROOF STEM, THREADED ENDS TO ANSI B1.20.1(NPT),
 SOCKET-WELD ENDS TO ASME B16.11, FIRE SAFE TO API 607, ANTI-STATIC, LOCKING HANDLE,
 MOUNTING PAD, O-RING AND PACKING ON STEM, FP: 1/4" TO 2", RP: 3/4" TO 2", MSS SP-110 DESIGNED.



Material List

NO.	PARTS	SPECIFICATION			QTY
1	BODY	CF8M/316	LCC/LF2	WCB/A105	1
2	CAP	CF8M/316	LCC/LF2	WCB/A105	2
3	GASKET	GRAPHITE	GRAPHITE	GRAPHITE	2
4	O-RING	VITON	VITON	VITON	2
5	SEAT	PEEK	PEEK	PEEK	2
6	BALL	ASTM 564 630	ASTM 564 630	ASTM 564 630	1
7	SPRING	304SS	304SS	304SS	1
8	STEM	ASTM 564 630	ASTM 564 630	ASTM 564 630	1
9	THRUST WASHER	PEEK	PEEK	PEEK	1
10	O-RING	VITON	VITON	VITON	1
11	PACKING	GRAPHITE	GRAPHITE	GRAPHITE	1
12	PACKING FOLLOW	304SS	304SS	304SS	1
13	BELLEVILLE WASHER	304SS	304SS	304SS	1
14	GLAND FLANGE	ASTM A351 CF8	ASTM A352 LCC	ASTM A216 WCB	1
15	BOLT	A193-B8	A193-B8	A193-B7M	2
16	STEM NUT	304	C/S PLATED	C/S PLATED	1
17	HANDLE	CF8	C/S PLATED	C/S PLATED	1



Dimensions

SIZE		BORE	øD		L (FNPTxSW)		L (SW)		H		E		B (FNPTxSW)		B (SW)		G	
in	mm		in	mm	in	mm	in	mm	in	mm	in	mm	in	mm	in	mm	in	mm
1/4"	6.4	FP	0.5	11	4.43	112.5	5	127	3.28	82.7	6.50	165	0.94	23.75	0.94	23.75	1.72	43.7
3/8"	9.5	FP	0.5	12.7	4.43	112.5	5	127	3.28	82.7	6.50	165	0.94	23.75	0.94	23.75	1.72	43.7
1/2"	12.7	FP	0.5	12.7	4.69	119	5	127	3.28	82.7	6.50	165	0.94	23.75	0.94	23.75	1.72	43.7
3/4"	19.1	FP	0.75	19	5.50	139.5	6.73	171	3.87	93.2	8.07	205	1.18	30	1.18	30	2.25	57.2
		RP	0.5	12.7	5.56	141.25	6.75	171.5	3.28	82.7	6.50	165	0.94	23.75	0.94	23.75	1.72	43.7
1"	25.4	FP	1	25.4	6.93	176	8.47	215	3.93	99.75	8.07	205	1.27	32.25	1.27	32.25	2.5	63.75
		RP	0.75	19	5.98	152	8.74	171	3.87	93.2	8.07	205	1.18	30	1.18	30	2.25	57.2
1-1/4"	31.8	FP	1.5	38	7.42	188.5	8.54	217	5.30	134.5	10	255	1.87	47.5	1.87	47.5	3.56	90.5
		RP	1	25.4	7.56	192	8.70	221	3.93	99.75	8.07	205	1.61	41	1.61	41	2.5	63.75
1-1/2"	38.1	FP	1.5	38	7.42	188.5	8.54	217	5.30	134.5	10	255	1.87	47.5	1.87	47.5	3.56	90.5
		RP	1	25.4	7.56	192	8.70	221	5.30	134.5	8.07	205	1.61	41	1.61	41	3.56	90.5
2"	50.8	FP	2	50.8	8.06	204.5	9.84	250	6.30	160	12.4	315	2.20	56	2.20	56	4.92	125
		RP	1.5	38	7.97	202.5	8.54	217	5.30	134.5	10	255	1.87	47.5	1.87	47.5	3.56	90.5